

Project

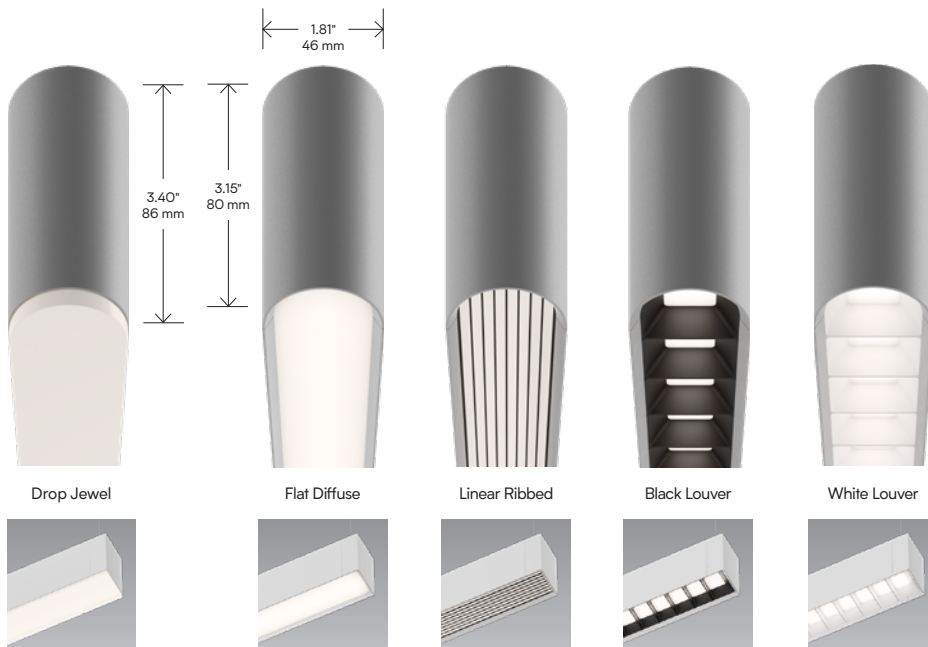
Catalog Number

Type

- Narrow 1.5" aperture design with an integral driver
- Create continuous patterns or straight runs of any length in 1' increments—all with just one power drop
- Connectorized wiring system for easy installation and infinite configurability
- Connect to anywhere, from anywhere, with a simple mechanical+electrical link with no custom or specialized items
- Available with on board Acuity, Legrand and Lutron LLLC wireless controls
- Up to 140 lm/W efficacy



Dimensions + Optics



Performance Example — See page 3 for more detail.

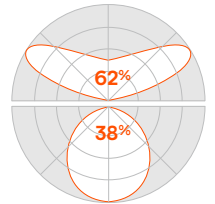
Indirect - C

5.6 W/ft
820 lm/ft
147 lm/W

Direct - B

3.8 W/ft
497 lm/ft
132 lm/W

Total
9.4 W/ft
1317 lm/ft
140 lm/W



80 CRI 4000 K	Version	A	B	C	D
INDIRECT (B)	(W/ft)	2.0	3.8	5.6	7.6
	(lm/ft)	250	500	750	1000
	(lm/W)	138	147	147	146
DIRECT (FD)	(W/ft)	2.0	3.8	5.6	7.6
	(lm/ft)	250	500	750	1000
	(lm/W)	124	132	132	131

Color Accuracy

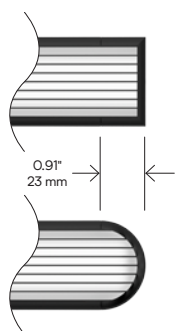
SDCM ≤ 3

Lumen Maintenance

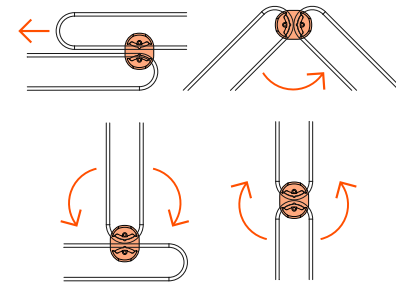
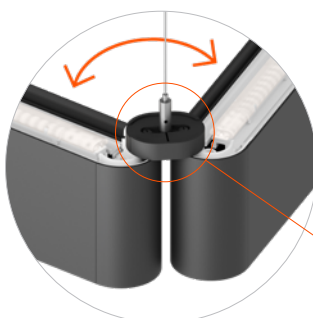
≥ 48,000 h
L90 TM21

≥ 102,000 h
L70 Estimate

Fully Luminous Endcaps

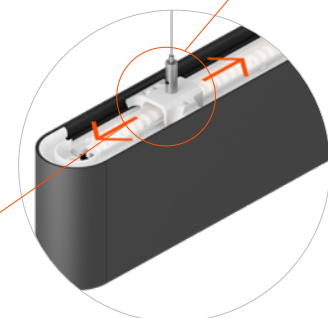


Infinitely Adjustable Dual Pivot Link



+ Suspend / Power / Link—Anywhere **+**
Versatile configurations and seamless connectivity for ultimate flexibility in any environment.

Variable Mounting



+ Versatile & Adaptive
Proprietary variable mount fits seamlessly into any setting.

Catalog Number

HYL																				
1	2	3A	3B	3C	4	5	6	7	8	9	10	11	12	13	14	15	16	17	18	19

Family		Style			Mounting					
1. Product	2. Shape	3. Length (ft)			4. Endcap	5. Product Color	6. Canopy Color	7. At Fixture	8. Ceiling + J-Box*	9. Suspension*
Hyperlink HYL	Linear	A	B	C	F Flat* R Round	B Black W White S Silver	B Black W White	F Fixed V Variable*	ACT Grid Ceilings Universal ON/OFF Grid G1 Flat Ceiling Fits 9/16" or 15/16" Flat, Slot or Tegular Hard Lid/Structure Exposed J-Box E1 Flat Ceiling E2 Sloped Ceiling Recessed J-Box R1 Flat Ceiling R2 Sloped Ceiling	O3 3 ft O6 6 ft 12 12 ft 25 25 ft *Using variable mount with power at fixture may reduce overall suspension length ≤ 4 ft max.
	Open Shape L2 L-Shape T2 T-Shape C3 C-Shape X3 X-Shape Y3 Y-Shape Z3 Z-Shape Closed Shape S1 Square R2 Rectangle T3 Triangle P1 Pentagon H1 Hexagon O1 Octagon Custom Shape* ZZ *contact factory									

Lighting

10. Upper Optics	11. Lower Optics	12. Indirect Output			13. Direct Output			14. CRI + CCT	
B Batwing* D Downlight Only *Indept Up/Dn control not avail in shapes/patterns	DJ Drop Jewel Lens* FD Flat Diffuse Lens LR Linear Ribbed Lens BL Black Cell Louver WL White Cell Louver *Not available w/sensors	A 250 lm/ft B 500 lm/ft C 750 lm/ft D 1000 lm/ft Z None (Downlight Only) All values are nominal @ 8040 w/ E1 ≤ 1% dim	2.0 W/ft 3.8 W/ft 5.6 W/ft 7.6 W/ft	138 lm/W 147 lm/W 147 lm/W 146 lm/W	A 250 lm/ft B 500 lm/ft C 750 lm/ft D 1000 lm/ft All values are nominal @ 8040 w/ E1 ≤ 1% dim based on FD lower optic. See page 3 for details.	2.0 W/ft 3.8 W/ft 5.6 W/ft 7.6 W/ft	124 lm/W 132 lm/W 132 lm/W 131 lm/W	8030 80 CRI + 3000 K 8035 80 CRI + 3500 K 8040 80 CRI + 4000 K 9030 90 CRI + 3000 K 9035 90 CRI + 3500 K 9040 90 CRI + 4000 K	

Electrical

15. Driver	16. Circuiting	17. Voltage
eld LED 0-10 V Dim E1 ≤ 1% (ECO/OPTO) E2 ≤ 0.1% (SOLO) For other drivers and protocol options, contact factory	A 1 CCT B 2 CCT Through A/B* C 2 CCT Up / Down* D 1 CCT - 2 Zone* E 1 CCT + EM Circuit* *1 cord required at each end of run. Not avail in shapes/patterns	M 120 V - 277 V Universal Multi-Volt

Optional

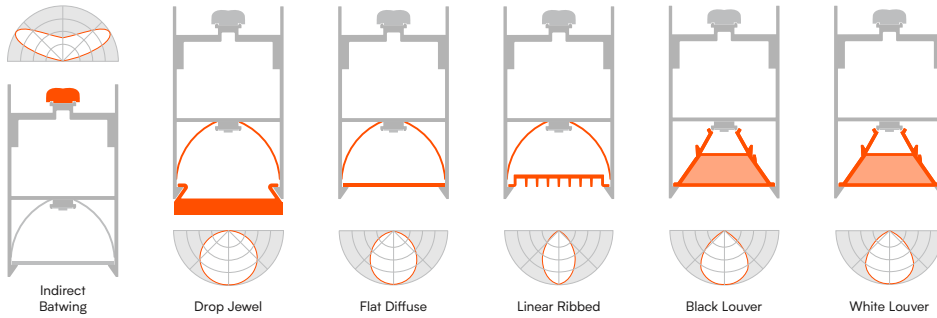
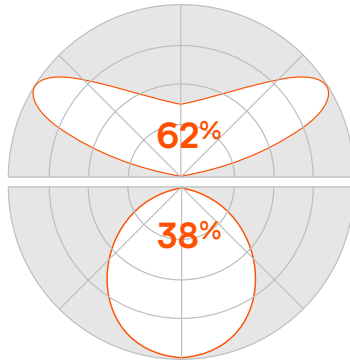
18. Battery	19. Wireless Controls	
BZ None B# IOTA BP Quantity per run/pattern: Requires minimum fixture length ≥ 6 ft For additional details on EM Batt, refer to Specifications section on last page.	WZ None Acuity nLight Air NR Send / Recv Radio Only (rIO) NS Radio + OCC/Light Sensor (rES7)	Lutron Athena AR Send / Recv Radio Only (A-WN-D01-RF) AS Radio + OCC/Light Sensor (A-WN-D01-OCC) Sensor quantity per run/pattern: Sensors available in straight runs (SR) only. Certain sensor application restrictions may apply. Consult OEM or Mindset for details.

Performance Example

Hyperlink
Batwing Indirect (B) / Flat Diffuse Lens (FD)
Indirect 3000 lm (D) / Direct 3000 lm (C)
80 CRI + 4000 K (8040)

HYL-SR-A4-R-W-W-F-G1-O3-B-FD-D-C-8040-E1

Delivered Lumens	5269 lm
System Watts	37.4 W
Efficacy	140 lm/W
CRI	83
CCT	3468 K



Indirect Optic	Version (output)	Light (lm)	Energy (W)	Efficacy (lm/W)	Intensity ¹ (cd)	Luminance ¹ (cd/m ²)
Batwing	A	1080	7.8	138	459	-
	B	2226	15.1	147	918	-
	C	3281	22.3	147	1376.9	-
	D	4412	30.2	146	1835.9	-

Direct Optic	Version (output)	Light (lm)	Energy (W)	Efficacy (lm/W)	Intensity ¹ (cd)	Luminance ¹ (cd/m ²)
Drop Jewel	A	951	7.8	122	296.5	6959
	B	1960	15.1	130	593	14348
	C	2889	22.3	130	889.5	21155
	D	3885	30.2	129	1186	28442

Flat Diffuse	A	965	7.8	124	387	8548
	B	1988	15.1	132	774	17597
	C	2931	22.3	132	1161	25688
	D	3941	30.2	131	1548	34843

Linear Ribbed	A	468	7.8	60	266.8	6060
	B	965	15.1	64	533.5	12624
	C	1422	22.3	64	800.2	18684
	D	1912	30.2	63	1067	25249

Black Louver	A	554	7.8	71	387	5602
	B	1143	15.1	76	774	11673
	C	1695	22.3	76	1161	17275
	D	2265	30.2	75	1548	23346

White Louver	A	935	7.8	120	465.5	8431
	B	1928	15.1	128	931	17564
	C	2842	22.3	128	1369.5	25995
	D	3822	30.2	127	1862	35129

All values based on 4 ft luminaire @ 80 CRI + 4000 K.

¹Max 45°-90°

LM79 Independent Testing:

All photometry conducted by an independent, certified laboratory in accordance with IESNA LM-79-08 and ANSI C78.377.2011.

Test results shown in the tables for all optical variants at all lumen outputs and wattages have been conducted on a 4 ft luminaire at 80 CRI with 4000 K. Other results are scaled using factors as below.

Luminaire finishes other than factory standard white may result in minor reductions of lumen output and luminaire efficacy.

Current photometric files in .IES format can be downloaded at www.mindsetlighting.com

Color Accuracy				
CRI	Color	3000 K	3500 K	4000 K
80	CRI	84	85	83
	R9	17	15	10
	SDCM	≤ 3	≤ 3	≤ 3
90	CRI	94	95	94
	R9	66	72	73
	SDCM	≤ 3	≤ 3	≤ 3

CCT + CRI Scaling		
Color (CCT)	80 CRI	90 CRI
3000 K	0.96	0.79
3500 K	0.97	0.80
4000 K	1.00	0.82

LED Life	
Lumen Maintenance	
L90 TM21 ≥ 48,000 h	L70 Estimate ≥ 102,000 h

Battery Output (90 min)		
Color (CCT)	80 CRI	90 CRI
3000 K	1,601 lm	1,318 lm
3500 K	1,618 lm	1,334 lm
4000 K	1,668 lm	1,368 lm

For additional details on EM Batt. refer to Specifications section on last page.

UGR Values

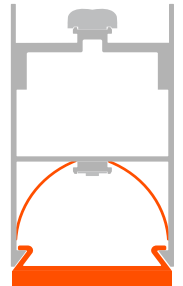
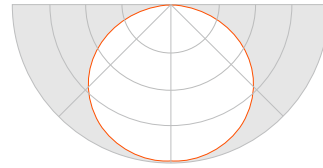
Unified Glare Ratio (UGR) is calculated in accordance with CIE 117-1995. Reference conditions of 4H x 8H x 1H and reflectances of 70/50/20% have been applied using the procedure described in CIE 190-2010. UGR values calculated with this method are considered "Luminaire-UGR" and/or "Point-UGR" values and are for reference only. UGR values vary based on specific luminaire options and are significantly affected by application dependent parameters.

To determine a more precise maximum UGR value ("Application-UGR"), a comprehensive lighting design should be completed with the selected luminaire using its specific photometric file.

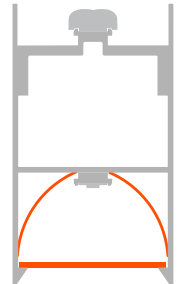
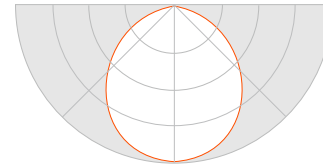
Current photometric files in .IES format can be downloaded at www.mindsetlighting.com

Current photometric files in .IES format can be downloaded at www.mindsetlighting.com

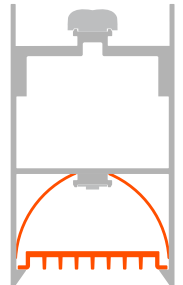
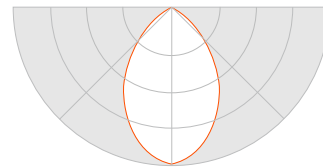
Drop Jewel		Direct							
		A-250 (lm/ft)		B-500 (lm/ft)		C-750 (lm/ft)		D-1000 (lm/ft)	
		Endwise	Crosswise	Endwise	Crosswise	Endwise	Crosswise	Endwise	Crosswise
Indirect	Z O (lm/ft)	21.6	21.5	24.8	24.7	26.2	26.0	27.2	27.1
	A 250 (lm/ft)	19.1	17	23.2	21	25.2	23	26.6	24.5
	B 500 (lm/ft)	17.2	15	21.6	19.5	23.9	21.7	25.5	23.3
	C 750 (lm/ft)	16.1	13.9	20.7	18.5	23	20.8	24.7	22.5
	D 1000 (lm/ft)	15.1	13	19.8	17.7	22.2	20.1	24	21.9



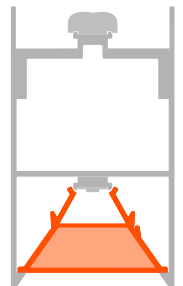
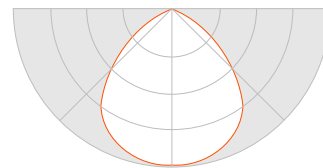
Flat Diffuse		Direct							
		A-250 (lm/ft)		B-500 (lm/ft)		C-750 (lm/ft)		D-1000 (lm/ft)	
		Endwise	Crosswise	Endwise	Crosswise	Endwise	Crosswise	Endwise	Crosswise
Indirect	Z O (lm/ft)	21.1	22.9	23.7	25.4	24.7	27.5	26.7	28.5
	A 250 (lm/ft)	17.2	19.1	21.3	23.2	23.2	25.2	24.8	26.7
	B 500 (lm/ft)	15.2	17.1	19.7	21.6	21.9	23.9	23.6	25.5
	C 750 (lm/ft)	14	16.4	18.7	20.6	21	23	22.8	24.7
	D 1000 (lm/ft)	13.1	15	17.8	19.8	20.3	22.2	21.4	23.3



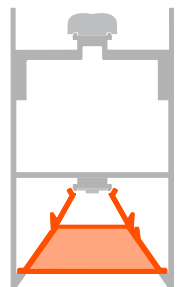
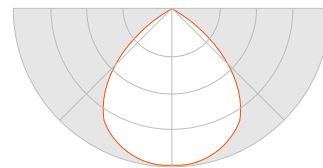
Linear Ribbed		Direct							
		A-250 (lm/ft)		B-500 (lm/ft)		C-750 (lm/ft)		D-1000 (lm/ft)	
		Endwise	Crosswise	Endwise	Crosswise	Endwise	Crosswise	Endwise	Crosswise
Indirect	Z O (lm/ft)	12.7	21.9	15.2	24.4	15.6	25.7	17.6	26.8
	A 250 (lm/ft)	<10	15.2	<10	19.2	<10	22	10.9	23.6
	B 500 (lm/ft)	<10	13	<10	17.7	<10	20.2	<10	22
	C 750 (lm/ft)	<10	11.7	<10	16.6	<10	19.1	<10	21
	D 1000 (lm/ft)	<10	10.8	<10	15.6	<10	18.2	<10	20.1



Black Louver		Direct							
		A-250 (lm/ft)		B-500 (lm/ft)		C-750 (lm/ft)		D-1000 (lm/ft)	
		Endwise	Crosswise	Endwise	Crosswise	Endwise	Crosswise	Endwise	Crosswise
Indirect	Z O (lm/ft)	15.7	15.2	18.2	17.7	19.5	19.1	20.5	20.1
	A 250 (lm/ft)	<10	<10	<10	11.1	11.4	12.7	13.7	15
	B 500 (lm/ft)	<10	<10	<10	<10	10.4	11.6	12.1	13.4
	C 750 (lm/ft)	<10	<10	<10	<10	<10	10.5	11.1	12.4
	D 1000 (lm/ft)	<10	<10	<10	<10	<10	<10	10.3	11.6



White Louver		Direct							
		A-250 (lm/ft)		B-500 (lm/ft)		C-750 (lm/ft)		D-1000 (lm/ft)	
		Endwise	Crosswise	Endwise	Crosswise	Endwise	Crosswise	Endwise	Crosswise
Indirect	Z O (lm/ft)	18.9	21.3	21.5	23.8	22.8	25.2	23.8	26.2
	A 250 (lm/ft)	13.1	16.5	17.2	20.6	19.3	22.7	20.7	24.1
	B 500 (lm/ft)	11.1	14.5	15.6	19	17.9	21.2	19.5	22.9
	C 750 (lm/ft)	<10	13.3	14.5	17.9	16.9	20.3	18.7	22.1
	D 1000 (lm/ft)	<10	12.4	13.7	17.1	16.1	19.5	17.9	21.3



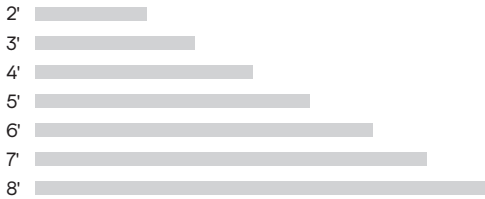
Run Lengths

- Design straight runs, or open and closed patterns in 1' increments (min. module length is 2')
- Use the link to electrically and mechanically connect fixture segments or to suspend
- Power up to 100' from any suspension point, incl auxiliary circuits and emergency BPs. Consult factory for specific power requirements
- Integrate multiple zones of wireless control anywhere along the length of a straight run to optimize sensor locations and energy savings
- Choose variable mounting to coordinate suspension/power points with existing locations (i.e. heritage, asbestos) or to navigate complex ceiling conditions or obstructions

Nominal Run Length (ft)	Fixture Module Lengths (ft)	Nominal Run Length (ft)	Fixture Module Lengths (ft)	Nominal Run Length (ft)	Fixture Module Lengths (ft)
9	5 + 4	23	8 + 7 + 8	37	8 + 8 + 5 + 8 + 8
10	5 + 5	24	8 + 8 + 8	38	8 + 8 + 6 + 8 + 8
11	6 + 5	25	8 + 5 + 4 + 8	39	8 + 8 + 7 + 8 + 8
12	6 + 6	26	8 + 5 + 5 + 8	40	8 + 8 + 8 + 8 + 8
13	7 + 6	27	8 + 6 + 5 + 8	41	8 + 8 + 5 + 4 + 8 + 8
14	7 + 7	28	8 + 6 + 6 + 8	42	8 + 8 + 5 + 5 + 8 + 8
15	8 + 7	29	8 + 7 + 6 + 8	43	8 + 8 + 6 + 5 + 8 + 8
16	8 + 8	30	8 + 7 + 7 + 8	44	8 + 8 + 6 + 6 + 8 + 8
17	6 + 5 + 6	31	8 + 8 + 7 + 8	45	8 + 8 + 7 + 6 + 8 + 8
18	6 + 6 + 6	32	8 + 8 + 8 + 8	46	8 + 8 + 7 + 7 + 8 + 8
19	7 + 5 + 7	33	8 + 6 + 5 + 6 + 8	47	8 + 8 + 7 + 8 + 8 + 8
20	8 + 4 + 8	34	8 + 7 + 4 + 7 + 8	48	8 + 8 + 8 + 8 + 8 + 8
21	8 + 5 + 8	35	8 + 7 + 5 + 7 + 8	49	8 + 8 + 6 + 5 + 6 + 8 + 8
22	8 + 6 + 8	36	8 + 8 + 4 + 8 + 8	50	8 + 8 + 7 + 4 + 7 + 8 + 8

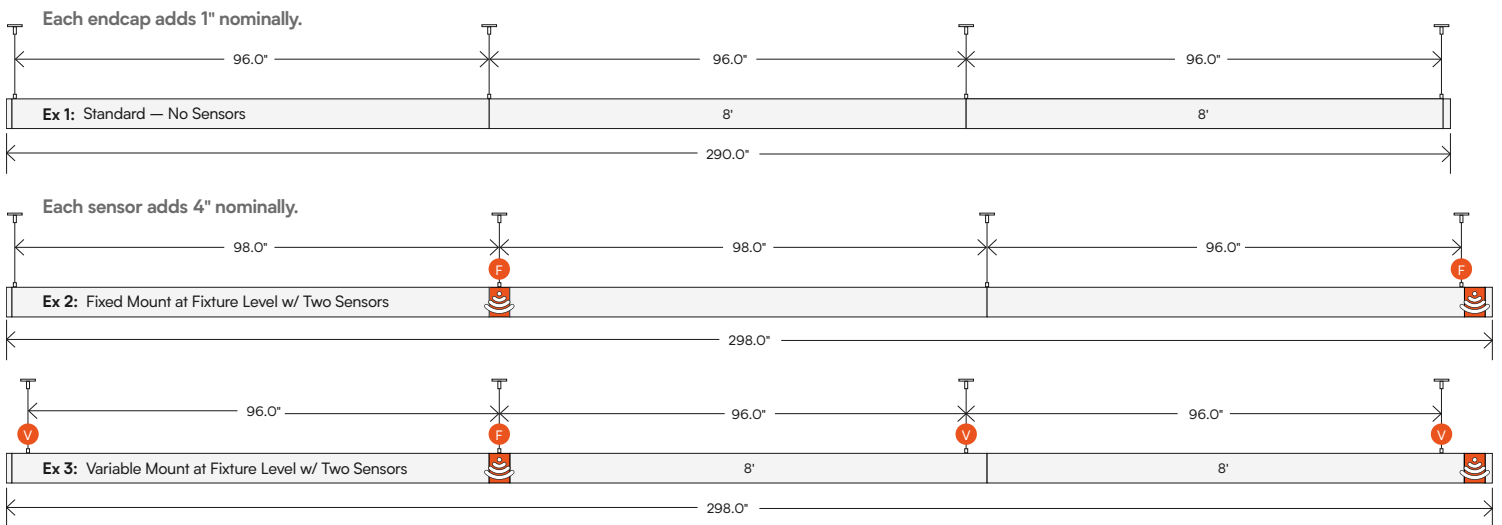
Row configurations based on longest possible length for reduced labor and symmetrically balanced segments. For alternate configurations contact factory.

Stand Alone Modules

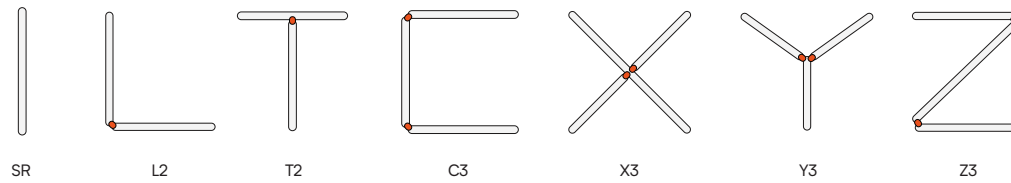


Rows + Patterns

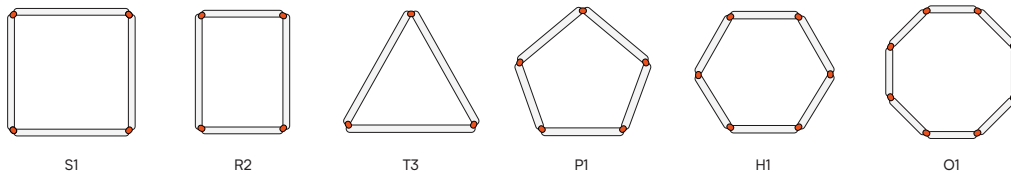
Continuous straight runs with or without sensors. Utilize variable mounting at fixture level to coordinate with ceiling conditions.



Open Shapes

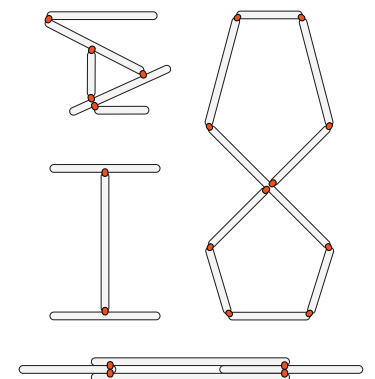


Closed Shapes



Custom Shapes

Configure without compromise. Contact factory for details.

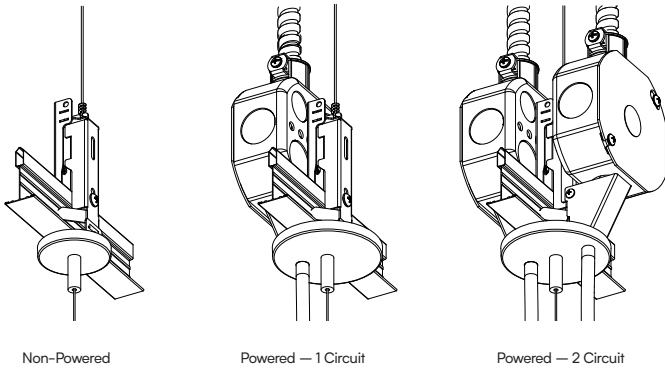


Use links to create connected patterns. Connect any fixture to any other fixture, anywhere. Dual pivot system allows for fully articulated joints when used with round end caps.

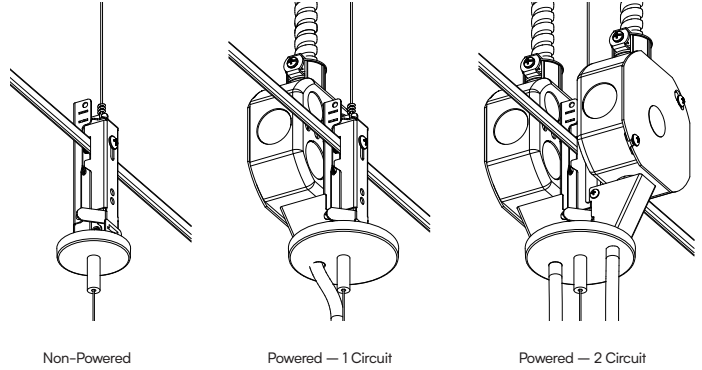
Mounting

ACT Grid Ceilings

Universal **ON** Grid
G1 Flat Ceiling

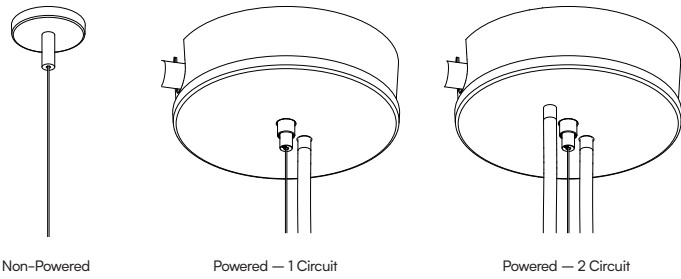


Universal **OFF** Grid
G1 Flat Ceiling

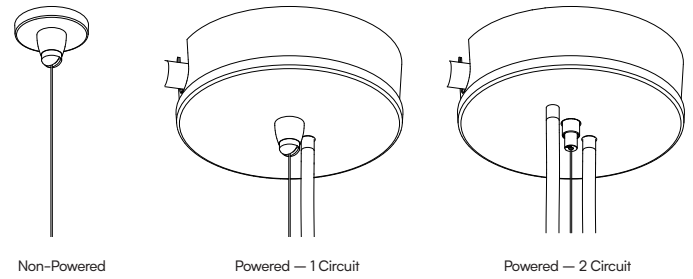


Hard Lid Structure

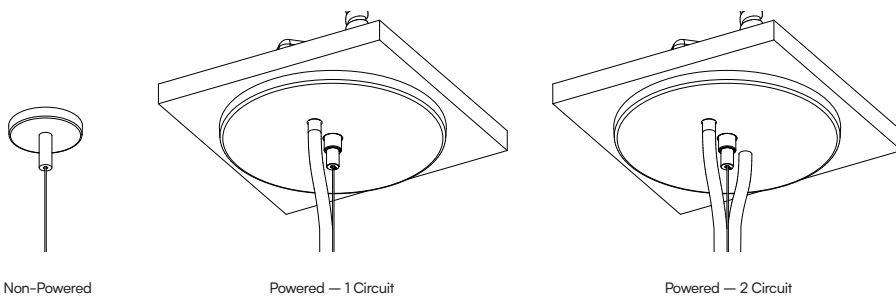
Exposed J-Box
E1 Flat Ceiling



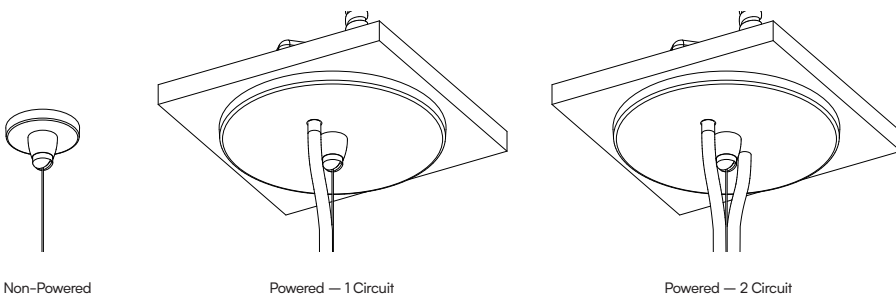
Exposed J-Box
E2 Sloped Ceiling



Recessed J-Box
R1 Flat Ceiling

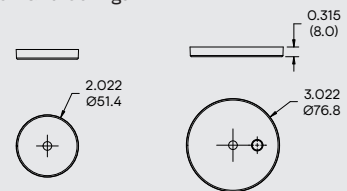


Recessed J-Box
R2 Sloped Ceiling

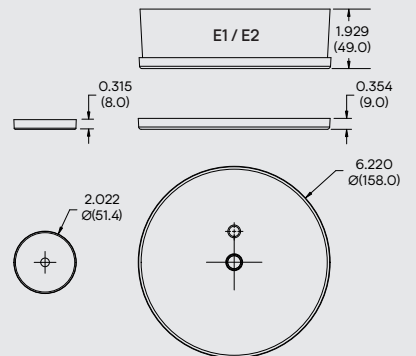


Canopy Dimensions

ACT Grid Ceilings



Hard Lid Structure



Specifications

Construction

- Nominal 3.15" x 1.81" extruded aluminum housing
- Diecast and machined aluminum endcaps and joining components
- Stainless steel and zinc plated fasteners
- Canopies available in white and black
- High reflectance diffuse white textured powdercoat
- Optional modular integrated wireless radios/sensors

Finish

- Powdercoated in white, black, and silver

Optical

- Precision extruded direct optics
- Injection moulded indirect optics
- High reflective powdercoating and reflectors

Distribution

- Batwing indirect (B)
- Direct jewel (DJ)
- Flat diffuse (FD)
- Linear ribbed (LR)
- Black louver (BL) and white louver (WL)
- Optics are available to provide precise distribution for specific applications

LED Components

- Linear: light engines - 3000 K to 4000 K CCT in 80 CRI and 90 CRI variants

Electrical

- Long-life: greater than 102000 (L70) hours minimizing maintenance frequency at environmental temperatures up to 40°C. LEDs, coupled with high-efficiency drivers, provide superior quality of illumination and extended life
- Electrical connections designed with internal, integral plug together wiring

Emergency

- Optional battery pack delivers 10W Class 2 rated supply for 90 mins. To estimate input emergency flux use 12W input energy, typical 1000lm - 1500lm (@100 - 150 lm/W)

Color Consistency

- LED light engines for the linear LED components use a precise binning algorithm which creates a consistent color temperature along the reel. The color is a variation of no greater than a 3.0 Step MacAdam ellipse (3.0 SDCM)

Drivers

- Linear drivers provide natural dimming with smooth, continuous and flicker-free dimming. Operates between 120 VAC and 277 VAC, with low inrush current (NEMA 410) and THD < 20%. Meets FCC Title 47 C.F.R. 15 Class A or Class B requirements
- Mindset lighting Inc. luminaires incorporating this driver performs within the recommended operating areas for flicker as a function of frequency and modulation (%) outlined in IEEE Standard 1789-2015 (IEEE Recommended Practices for Modulating Current in High-Brightness LEDs for Mitigating Health Risks to Viewers), in typical operating conditions at representative dimming levels

Approvals

- Conforms to UL 1598 (USA)
- Conforms to CSA C22.2 No. 250.0:21 (Canada)
- DLC Premium, Standard
- Declare: Third Party Verified, Red List Approved
- Title-24 / JA8 Certified

Independent Photometry

- IESNA LM79
- IESNA LM80 (LED @ 10,000 h)

Environmental + Care

- Suitable for damp location with ambient temperatures of 32-86°F (0-30 °C). Damage from contaminants is not covered under warranty. Chemicals such as chlorine, solvents, ammonia, alcohol or sulfur in the environment of operation of the product(s) and/or during cleaning the product(s)

Weight

- Fixture only: -1.8 lb/ft (2.82 kg/m)

Warranty

5 year limited warranty on all components and workmanship. For complete warranty terms, refer to www.mindsetlighting.com/termsandconditions

Note: Actual performance may differ as a result of the end-user environment and application. All values are design or typical values, measured under laboratory conditions at 23 °C

Specifications subject to change without notice

Declare.

Hyperlink Linear Suspended (1¾" W x 3¼" H) Mindset Lighting

Final Assembly: Vancouver, British Columbia, Canada
Life Expectancy: 10+ Year(s)
End of Life Options: Salvageable/Reusable in its Entirety, Recyclable (93%), Landfill (7%)

Ingredients:

Exterior Housing: Aluminum 6063; **T Bars:** Steel 1018; **Small Electrical Components:** Small Electrical Component, Driver¹; **Lens, Drop Jewel:** Polymethyl methacrylate; **Louver, Black Cell:** Polymethyl methacrylate; **Louver, White Cell:** Polymethyl methacrylate; **Die Cast Endcaps:** Aluminum 380; **Lens, Linear Ribbed:** Polymethyl methacrylate; **Indirect Optics:** Polypropylene; Carbonic acid, polymer with 4,4'-(1-methylethylidene)bis[phenol]; **Lens, Flat Diffuse:** Polymethyl methacrylate; **Powder Coating, White:** 1,3,5-Triglycidyl-s-triazinetrione; Titanium dioxide; Aluminum hydroxide; **Powder Coating, Black:** 1,3,5-Triglycidyl-s-triazinetrione; Aluminum hydroxide; Carbon black; **Powder Coating, Silver:** 1,3,5-Triglycidyl-s-triazinetrione; Aluminum hydroxide; Titanium dioxide; Mica-group minerals; **LED:** Small Electrical Component, LED¹; **Cross Plate Door:** Steel 1018; **Canopy:** Carbonic acid, polymer with 4,4'-(1-methylethylidene)bis[phenol]; **Optic Reflector:** Polyethylene Terephthalate; **Couplers:** Nickel Plated Brass C77000; **Fasteners:** Stainless Steel 304; Neodymium; **Aircraft Cable:** Stainless Steel 304

¹LBC Temp Exception RL-002 - Small Electrical Components

Living Building Challenge Criteria: Compliant

I-13 Red List:

- LBC Red List Free % Disclosed: 100% at 100ppm
- LBC Red List Approved VOC Content: Not Applicable
- Declared

I-10 Interior Performance: Not Applicable

I-14 Responsible Sourcing: Not Applicable

MSL-0001
EXP. 01 MAR 2026
Original Issue Date: 2025



MARKETPLACE CLAIMS VERIFIED BY A GREENER SPACE INTERNATIONAL LIVING FUTURE INSTITUTE™ living-future.org/declare